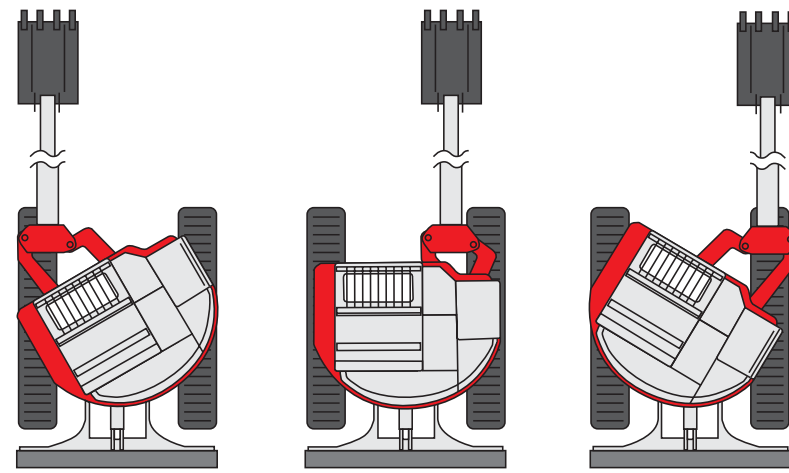


BOOM

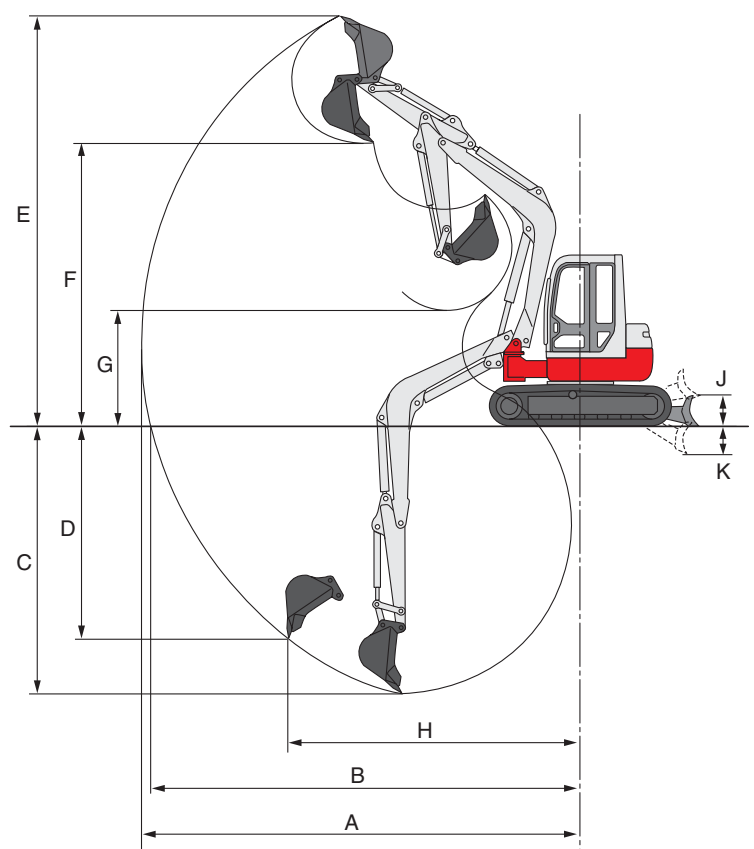
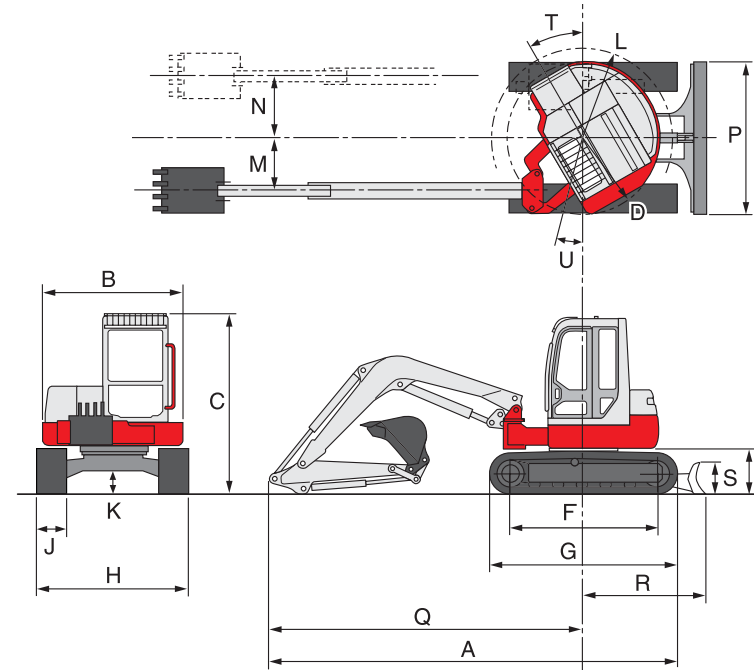
combined
with a
reduced
tail swing



Takeuchi introduced the FR series of reduced tail swing excavators to meet the growing demands for compact operation especially where restricted access limits the size of the machine.

Takeuchi now offer a 4, 6 and 8 tonne excavator with a massively reduced tail swing. The cab only exceeds the footprint of the tracks by centimetres, allowing operators to work and rotate right up to walls without potentially damaging the cab.

The FR series is a popular choice, giving more flexibility no matter what the site restrictions.



Dimensions Long Arm Rubber Crawlers

Item	TB138FR	TB153FR	TB180FR
A Length (mm)	4770	5350	6150
B Width (Turntable) (mm)	1640	1860	2140
C Height (mm)	2555 (2565)	2570 (2585)	2770
D Radius (mm)	955	1110	1255
E Track Height (mm)	605	615	715
F Crawler Base (mm)	1655	1985	2210
G Track Length (mm)	2110	2500	2855
H Machine Width (mm)	1740	2000	2300
J Track Width (mm)	350	400	450
K Ground Clearance (mm)	295	300	350
L Diameter (incl. Full Offset) (mm)	1355	1415	1625
M Offset Left (mm)	700	720	800
N Offset Right (mm)	730	825	945
P Dozer Width (mm)	1740	2000	2300
Q Dig Arm Length (mm)	3715	4105	4775
R Rear (mm)	1415	1720	1990
S Dozer Blade Height (mm)	395	430	500
T Offset Swing Angle LH	30°	30°	30°
U Offset Swing Angle RH	15°	15°	15°

Operating Range Long Arm Rubber Crawlers

Item	TB138FR	TB153FR	TB180FR
A Max. Digging Radius (mm)	5550	6195	7195
B Max. Floor Digging Radius (mm)	5425	6065	7045
C Max. Digging Depth (mm)	3420	3900	4545
D Max. Vert. Digging Depth (mm)	2635	3030	3490
E Max. Digging Height (mm)	5220	5490	6465
F Max. Dumping Height (mm)	3795	3885	4480
G Min. Dumping Height (mm)	1120	1125	1410
H Max. Vert. Digging Radius (mm)	3730	4075	4795
J Max. Raising Height (mm)	355	435	540
K Max. Lowering Depth (mm)	290	350	470

For more information locally
call us direct, or contact:

In accordance with our established policy of constant improvement, we reserve the right to amend these specifications at any time without notice. Photographs shown may feature non-standard equipment.



Takeuchi Mfg (UK) Ltd, Lynroyle Way,
Rochdale, Lancashire OL11 3EX
Tel: 01706 657 722 Fax: 01706 657 744

Southern Depot at 20 Colthrop Business Park
Colthrop Lane, Thatcham, Newbury, Berks RG19 4NB
Tel: 01635 877 196 Fax: 01635 877 195

www.takeuchi-mfg.co.uk Email: sales@takeuchi-mfg.co.uk

TAKEUCHI
Japanese for reliability

TAKEUCHI
Japanese for reliability

adjustable one piece

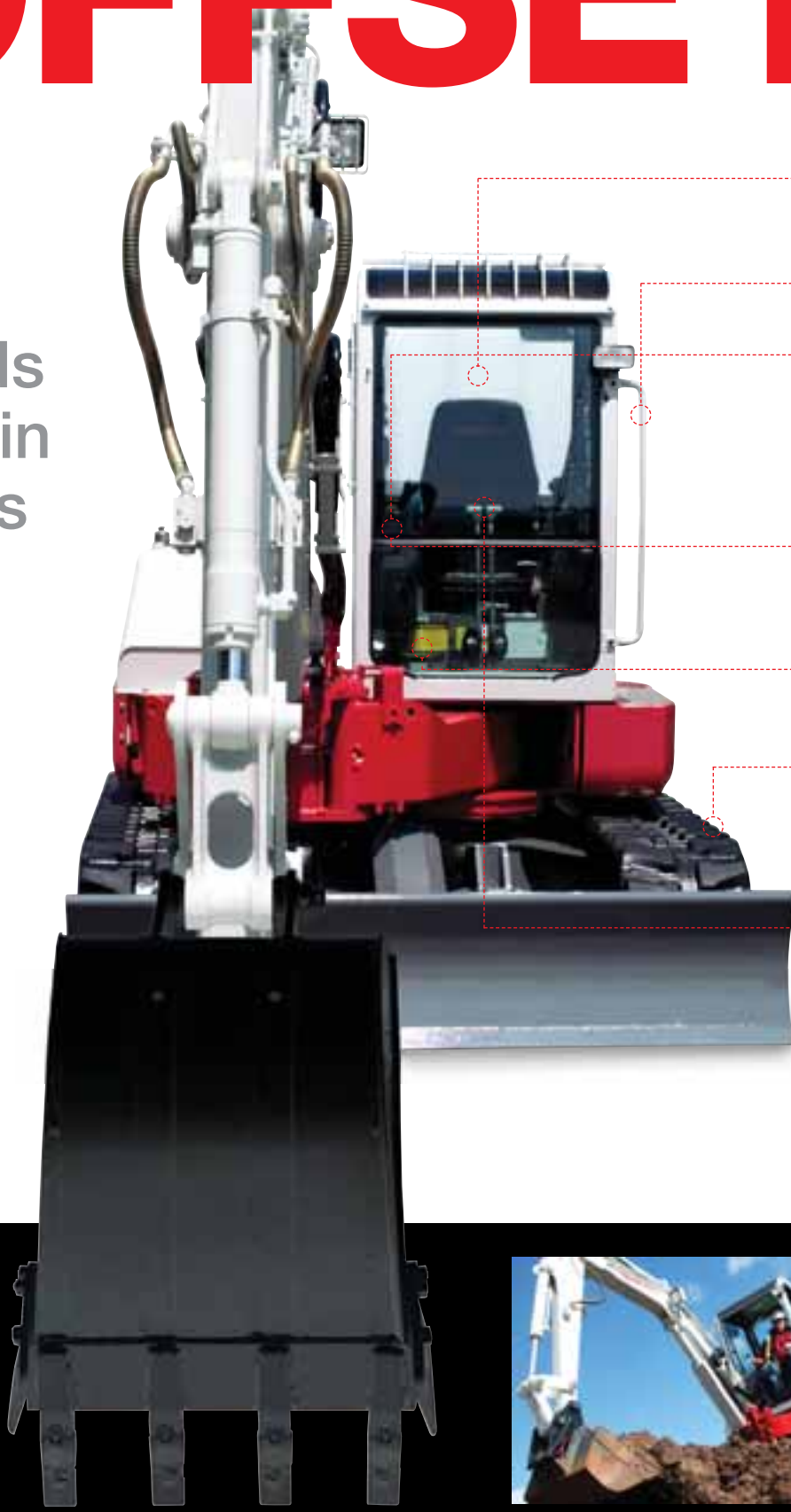
OFFSET

built to meet customer needs when working in tight conditions

A floor mounted pedal allows you to push the offset anywhere across the front of the machine and it will run simultaneously with boom and bucket functions.

The benefit for operators is the ability to work over a greater area without having to reposition the machine - critical where operators are working in tight conditions, and useful as an extra reach into corners can be easily achieved by cleverly relocating the boom offset.

- No need to reposition the machine
- Increased working radius
- In-built safety sensors



Features across the reduced tail swing excavator range

Operator Comfort

SPACIOUS COMPARTMENT

decreases operator's fatigue during long days of productive operation.

WIDE ENTRANCE

provides the comfortable entry/exit.

TWO-SPEED TRAVEL SWITCH

conveniently located on the right hand travel lever for ease of operation.

Automatically shifts travel speed from high to low speed, when ground conditions call for additional traction power.

ONE TOUCH ENGINE DECELERATOR

installed on the right hand joystick, reducing fuel consumption when the excavator is temporarily idled.

FOOT OPERATED OFFSET

offset boom function controlled with simple foot pedal.

SHORT PITCH RUBBER CRAWLERS

provides vibration free travel, even on the roughest ground.



Ease of Operations

EXCELLENT TRAVEL & SLEW SPEED shortens operation cycle time.

HYDRAULIC ATTACHMENTS are operated by simple push button or sensitively controlled by the slider switch on the joystick.

PROPORTIONAL AUXILIARY HYDRAULIC SWITCH is controlled at your fingertips.

Environmental Sensitivity

NEW SERIES ENGINE

Designed to meet the most strict worldwide exhaust emission standards and also provides significantly reduced noise levels for minimal disturbance in urban areas.

AUTOMATIC DECELERATOR (180FR)

Helping reduce fuel consumption.

Safety

WELL-BALANCED WEIGHT

Ensures superior stability and balance when digging in difficult terrain.

EMERGENCY ENGINE SHUT DOWN

Return to idle system helps protect the engine from problems due to unobservant operators.

Air Conditioning

Fitted as standard on TB180FR and optional extra on TB138FR and TB153FR.

TB138FR Specifications Cab, Rubber tracked, Breaker piping, Standard long dozer blade (Steel tracked)

Weight	
Machine Weight (kg)	3860 (3960)
Bucket Capacity (m ³)	0.105
Overall Dimension (mm)	
Length (in transport)	4715
Width	1740
Height	2555
Rear Slew Radius	955
Min. Ground Clearance	295
Bucket Width (mm)	570
Operating Range (mm)	
Max. Dig Depth	3110
Max. Vertical Dig Depth	2385
Max. Dump Height	3595
Max. Dig Height	5020
Max. Dig Radius	5260
Max. Floor Dig Radius	5130
Max. Bucket Offset RH/LH	730/700

Performance	
Traction Speed (km/h)	2.5/4.7 (2.3/4.5)
Upper Slew Speed (rpm)	9.5
Gradeability (deg)	30°/58%
Max. Dig Power Bucket (kN)	26.5
Max. Dig Power Arm (kN)	18
Ground Press (kPa)	30.4 (32.1)
Dozer Blade (mm)	
Width x Height	1740x395
Operating Range up/down	355/290
Offset Dig Function	
Type	Boom Offset
Swing Angle RH/LH	15°/30°
Traction System (mm)	
Crawler (Track)	Rubber/Steel
Track Width ST	350 (350)

Diesel Engine (Water-cooled)	
Model	3TNV88
Type	4CYL, 4CYCL, Direct injection
Rated Output (kW)	20.5
Max. Torque (Nm)	99.9-108.7
Displacement (cc)	1642
Cool Water Capacity (l)	5.4
Lub. Oil Capacity (l)	4.7
Fuel Tank Capacity (l)	40
Hydraulic System	
Pump Type	2xVariablePistonPump+2xGearPump
Set Press (Mpa)	20.6x2+19.6+3.4
Discharge (l/min)	37.2x2+21.8+10.3
Breaker & Service Port (l/min)	59
Slew Motor	Piston Motor
Traction Motor	2-speed Piston Motor
Hydraulic Tank Capacity (l)	41 (level) / 68 (system)

TB153FR Specifications Cab, Rubber tracked, Breaker piping, Standard long dozer blade (Steel tracked)

Weight	
Machine Weight (kg)	5615
Bucket Capacity (m ³)	0.141
Overall Dimension (mm)	
Length (in transport)	5330
Width	2000
Height	2570
Rear Slew Radius	1110
Min. Ground Clearance	300
Bucket Width (mm)	640
Operating Range (mm)	
Max. Dig Depth	3590
Max. Vertical Dig Depth	2735
Max. Dump Height	3710
Max. Dig Height	5320
Max. Dig Radius	5905
Max. Floor Dig Radius	5765
Max. Bucket Offset RH/LH	825/720

Performance	
Traction Speed (km/h)	2.8/5.0 (2.5/4.7)
Upper Slew Speed (rpm)	9.8
Gradeability (deg)	30°/58%
Max. Dig Power Bucket (kN)	36.3
Max. Dig Power Arm (kN)	25.2
Ground Press (kPa)	32.2 (32.6)
Dozer Blade (mm)	
Width x Height	2000x430
Operating Range up/down	435/350
Offset Dig Function	
Type	Boom Offset
Swing Angle RH/LH	15°/30°
Traction System (mm)	
Crawler (Track)	Rubber
Track Width ST	400 (400)

Diesel Engine (Water-cooled)	
Model	4TNV88-PTB21
Type	4CYL, 4CYCL, Direct injection
Rated Output (kW)	28.8
Max. Torque (Nm)	138
Displacement (cc)	2189
Cool Water Capacity (l)	8.4
Lub. Oil Capacity (l)	7.4
Fuel Tank Capacity (l)	65
Hydraulic System	
Pump Type	2xVariable(P1+P2)+2xGear(P3+P4)
Set Press (Mpa)	20.6x2+19.6+3.4
Discharge (l/min)	55.9x2+38.9+10.8
Breaker & Service Port (l/min)	55.9
Slew Motor	Piston Motor
Traction Motor	2-speed Piston Motor
Hydraulic Tank Capacity (l)	68 (level) / 115(system)

TB180FR Specifications Cab, Rubber tracked, Breaker piping, Standard long dozer blade (Steel tracked)

Weight	
Machine Weight (kg)	8325 (8530)
Bucket Capacity (m ³)	0.245
Overall Dimension (mm)	
Length (in transport)	6150
Width	2300
Height	2770
Rear Slew Radius	1255
Min. Ground Clearance	350
Bucket Width (mm)	750
Operating Range (mm)	
Max. Dig Depth	4195
Max. Vertical Dig Depth	3160
Max. Dump Height	4300
Max. Dig Height	6285
Max. Dig Radius	6870
Max. Floor Dig Radius	6715
Max. Bucket Offset RH/LH	945/800

Performance	
Traction Speed (km/h)	2.7/5.4 (2.5/5.0)
Upper Slew Speed (rpm)	9.9
Gradeability (deg)	30°/58%
Max. Dig Power Bucket (kN)	53.2
Max. Dig Power Arm (kN)	34.0
Ground Press (kPa)	37.6 (38.5)
Dozer Blade (mm)	
Width x Height	2300x500
Operating Range up/down	540/470
Offset Dig Function	
Type	Boom Offset
Swing Angle RH/LH	15°/30°
Traction System (mm)	
Crawler (Track)	Rubber
Track Width ST	450 (450)

Diesel Engine (Water-cooled)	
Model	4TNV98-STB1
Type	4CYL, 4CYCL, Direct injection
Rated Output (kW)	45.2
Max. Torque (Nm)	240
Displacement (cc)	3318
Cool Water Capacity (l)	9.5
Lub. Oil Capacity (l)	10.2
Fuel Tank Capacity (l)	110
Hydraulic System	
Pump Type	2xVariable(P1+P2)+2xGear(P3+P4)
Set Press (Mpa)	27.5x2+23.5+3.4
Discharge (l/min)	66.0x2+56.0+11.2
Breaker & Service Port (l/min)	66
Slew Motor	Piston Motor
Traction Motor	2-speed Piston Motor
Hydraulic Tank Capacity (l)	68 (level) / 120(system)

Serviceability

TILT-UP OPERATOR'S PLATFORM

provides excellent service access to the engine and other components.

MULTI GROUND LEVEL ACCESS PANELS

allow quick and easy maintenance servicing.

NEW RADIATOR AND EXHAUST SYSTEM

releases heat quickly with easy maintenance.

